

# ROBUS®

## DOWNLIGHTS

### DEXTER LED, DIMMABLE 6W, IP20



## PRODUCT INFORMATION DOCUMENT

### FEATURES

- Warm or neutral white CCT for task based or more relaxing environments
- 60° tilt to highlight wall mounted or floor standing goods
- Compared to 50W mains voltage Halogen
  - One for one with greater light output for higher lux levels
  - Almost 90% power consumption for lower electricity bills
  - No lamp changes and colour temperature drift over life

### CONSTRUCTION

- White polycarbonate trim
- Polycarbonate optic and reflector
- Steel fixing clips



WARRANTY



LUMINAIRE LIFETIME



LUMENS PER W



IP RATING



OPERATING VOLTAGE



BEAM ANGLE



CCT



DIMMING



SAFETY CLASS



TILT ANGLE

Product Code:	RDE6P030D-01	RDE6P040D-01
Comparable to:	50W halogen	50W halogen
Total Power (W):	5.3	5.4
Power Factor:	0.8	0.8
Total Light Output (lm):	420	460
Total Emergency Light Output (lm):	NA	NA
Efficacy (lm/cctW):	79	85
Lux at 1m (lux):	600	630
Emergency Lux at 1m (lux):	NA	NA
CCT (K):	3000	4000
CRI:	80	80
IP:	20	20
Operation Temperature (°C):	-20 ≤ Ta ≤ +40	-20 ≤ Ta ≤ +40
Inrush Current:	20A/0.3us	20A/0.3us
RG Value:	0	0
SDCM:	6	6
P <sub>ST</sub> LM:	NA	NA
SVM:	NA	NA
Energy Class:	F	F
Rated Life to L70B50 (Hrs):	30000	30000
Dimensions ØxH (mm):	86x41	86x41
Cut Out (mm)	70	70
Weight (kg):	0.11	0.11

### Separate Control Gear Information

Type of Light Source:	LED	LED
Full Load Efficiency (%):	84.5	84.5
P <sub>NET</sub> (W):	NA	NA
Dimensions (mm):	37x35x24	37x35x24

Product is certified to all the relevant standards.

Please contact our technical department for market specific compliances.

PLEASE NOTE: INFORMATION IN THIS DOCUMENT MAY BE SUBJECT TO CHANGE WITHOUT PRIOR NOTICE

IRE: TEL: +353 1 709 9000  
 UK: TEL: 0800 973 220  
 AUS: TEL: +61 7 3890 5444  
 NZ: TEL: +64 03 668 5285

WEB: ROBUS.COM  
 WEB: ROBUS.COM  
 WEB: ROBUS.COM.AU  
 WEB: ROBUSLED.CO.NZ

LED GROUP EUROPE · UK · AUSTRALIA · NEW ZEALAND · ASIA · MIDDLE EAST · AFRICA

# ROBUS®

## DOWNLIGHTS

### DEXTER LED, DIMMABLE 6W, IP20

#### Cone Illuminance Diagram

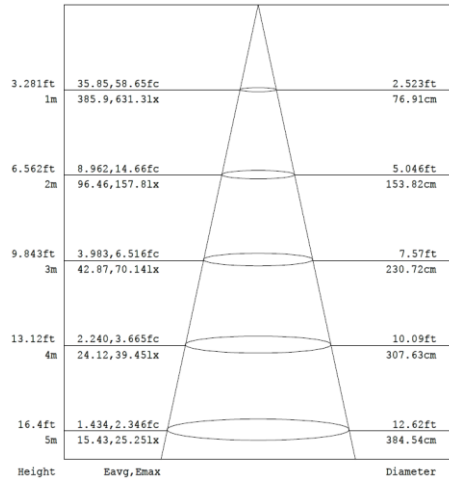
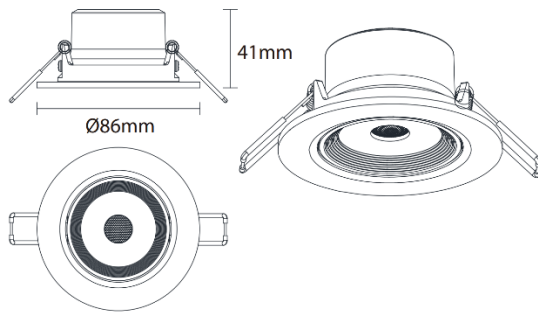


Diagram for RDE6P040D-01 in 3000K. Other diagrams available on request

#### Dimension Diagram



#### Sensor Data

Time Off Delay:	NA
Illuminance Switching Range:	NA
Sensitivity Range (%):	NA
Mounting Height (max):	NA
Detection Zone Diameter (max):	NA

#### Polar Intensity Diagram

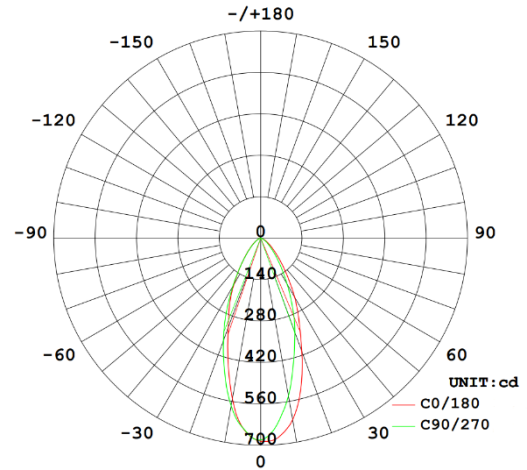


Diagram for RDE6P040D-01 in 3000K. Other diagrams available on request

#### Accessories

- RDETRIM-13 Brushed Chrome Trim
- RDETRIM-15 Satin Silver

PLEASE NOTE: INFORMATION IN THIS DOCUMENT MAY BE SUBJECT TO CHANGE WITHOUT PRIOR NOTICE

IRE: TEL: +353 1 709 9000  
 UK: TEL: 0800 973 220  
 AUS: TEL: +61 7 3890 5444  
 NZ: TEL: +64 03 668 5285

WEB: ROBUS.COM  
 WEB: ROBUS.COM  
 WEB: ROBUS.COM.AU  
 WEB: ROBUSLED.CO.NZ

LED GROUP EUROPE · UK · AUSTRALIA · NEW ZEALAND · ASIA · MIDDLE EAST · AFRICA